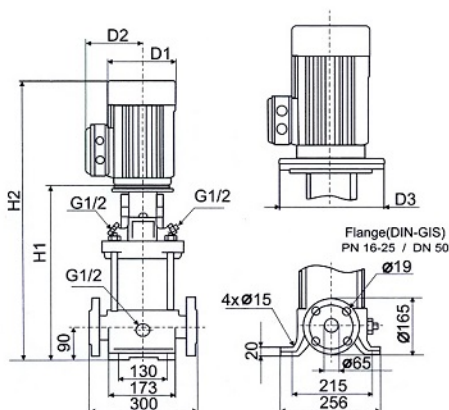


Vertical Multistage Centrifugal in - line Pump

Dimensions and weights - PCR 20



General Specification

Output size:	25 to 125 mm
Capacity:	0.7-180 m ³ /hr
Head:	275 m
Operation Temperature:	-15 to +120
Main Connection (1-[v/Hz]):	220-240 V, 50 Hz
Main Connection (3-[v/Hz]):	380-415 V, 50 Hz
Insulation Class:	F
Enclosure Class:	IP 55
Ambient Temperature:	50°C

Pump type	Motor		Pump Flanges (mm)	PCR					Net weight (kg)
	P [kW]	rpm		Dimension(mm)					
				H1	H2	D1	D2	D3	DIN flange
PCR 20-1	1.1	2900	50	400	636	141	115	-	43.9
PCR 20-2	2.2			415	708	177	141	-	55.7
PCR 20-3	4			465	795	220	161	-	68.3
PCR 20-4	5.5			542	910	235	197	300	99.4
PCR 20-5	5.5			587	955	235	197	300	100.8
PCR 20-6	7.5			632	1038	235	197	300	108.6
PCR 20-7	7.5			677	1083	235	197	300	110.1
PCR 20-8	11			799	1315	318	245	350	147.1
PCR 20-10	11			889	1405	318	245	350	150.0
PCR 20-12	15			979	1504	318	245	350	163.1
PCR 20-14	15			1069	1594	318	245	350	166.0
PCR 20-17	18.5			1204	1773	318	245	350	195.4